

Designed specifically for on wall use in dedicated home cinemas, the Megaphonix uses high power handling and high sensitivity drivers to deliver all the impact and dynamics you need for the ultimate cinematic effect.

The 255mm bass driver has a 50mm voice coil and has been developed to offer low harmonic distortion, especially in the critical midband. The paper cone and surround of the bass driver have been developed to provide the smoothest possible response.

The high frequency drive unit is a specially-damped, high power, 26mm doped fabric dome tweeter, and is coupled with Krix's proprietary waveguide to provide consistently-maintained optimum dispersion of 90 degrees horizontal and 40 degrees vertical over the entire bandwidth. The combined high frequency response is exceptionally smooth and well controlled – a new benchmark in loudspeaker reproduction.

Designed with a 15 degree angled front baffle, the Megaphonix is ideal for wall mounting for rear or side surrounds and provides excellent pattern control and audio coverage to all listening positions. The enclosures are braced and critically damped to improve bass extension, and come with a black material grille and rear key hook mounts for easy installation.

The Megaphonix is the on wall member of a five-speaker family, allowing you to combine it with main or surround speakers for a connected, clear and smooth sound experience.

For the ultimate cinema experience at home, play it through Krix.

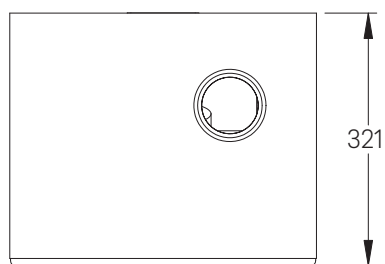


## FEATURES

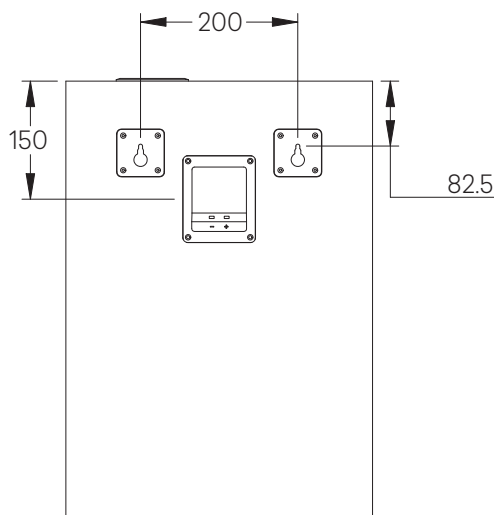
- Impact and dynamics for a real home cinema experience
- High sensitivity, very low distortion
- Precise pattern control

Megaphonix	
Frequency Range	40 Hz - 20 kHz (in room response)
Power Handling	50 - 250 Watts RMS recommended amplifier power
Sensitivity	95 dB (2.83V / 1m)
Impedance	8 OhmS
Configuration	2-Way
Crossover point	1.8 kHz
Low Frequency Driver	Single 255mm (10") paper cone driver. 50mm (2") voice coil wound on high powered kapton former, with ventilated magnet assembly and copper shorting ring for low distortion
High Frequency Driver	26mm (1") doped fabric dome with large roll surround. Ferro fluid cooled. Coupled to a Krix designed 90 x 40 short throw waveguide
Enclosure Type	Bass reflex, top vented
Input Terminals	Gold plated binding posts
Dimensions	560mm high x 390mm wide x 321mm deep at the top (171mm deep at the bottom)
Net Weight	15 kg

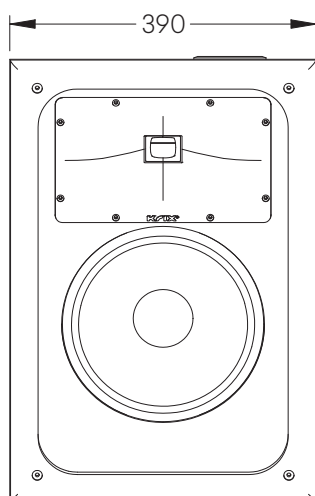
## DETAILED DIMENSIONS



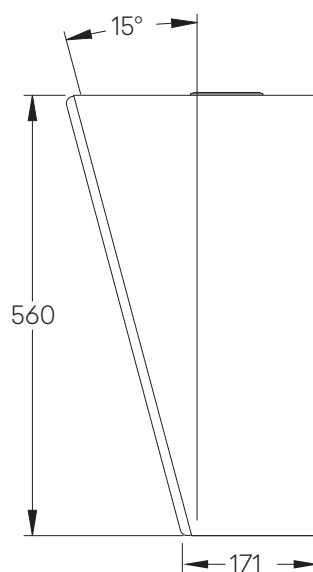
Top View



Rear View



Front View



Side View

